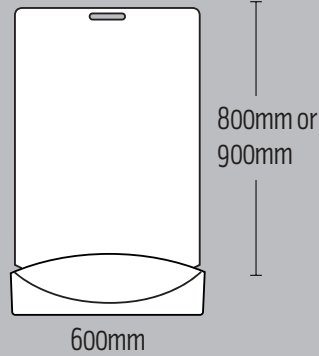


FOOTPATH SIGN OPTIONS



ULTRAO FOOTPATH SIGN

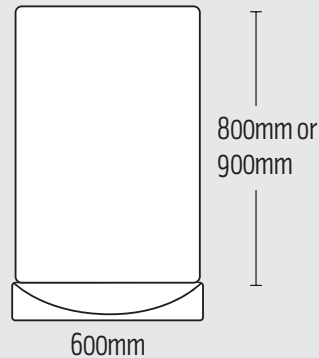
- Wheel option available for easy positioning.
- Panel locks into place with stainless steel wingscrew.
- Panels can be easily interchanged.
- Available with 800mm and 900mm PVC panels.
- Also available with 900mm CX9 powdercoated aluminium panels.
- Water fillable base gives up to 17kg weight for maximum stability.
- Smaller footprint than other bases available - less pavement obstruction.



600mm x 800mm x 3mm Standard PVC Panel with printed panel. \$325.00 COMPLETE Quantity 5 = \$305 ea.
 Base & 900mm Panel - 4mm PVC - Add \$25.00 Base & CX9 Panel - 900mm High Aluminium - Powder coated - Add \$25.00 Wheel Option - Add \$25.00 Additional printed panels \$207 each plus GST
 Base colours: Black, White, Yellow, Orange, Red, Dark Blue, Light Blue, Dark Green, White Haze, Graphite.

FREESTANDING HSL FOOTPATH SIGN

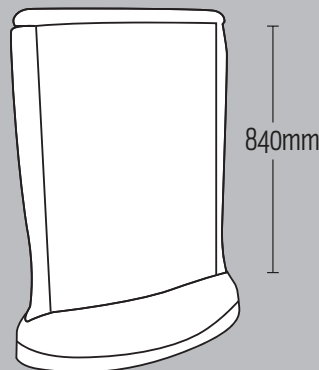
- Constructed from advanced, maintenance-free materials.
- Designed to withstand windy conditions.
- Bases can be weighted for additional stability.
- Choice of sign panel sizes - 800mm or 900mm high.
- All panels are suitable for vinyl lettering
- Moulded bases are available in a range of standard colours.
- Custom colours can be manufactured in any colour for larger quantities.



600x800, 4mm PVC Panel w/handle = \$269.00
 600x900, 4mm PVC Panel w/handle = \$275.00
 600x800, 4mm composite Panel w/handle = \$274
 600x900, 4mm composite Panel w/handle = \$280.00
 * Prices included printed panel.
 Base colours: Black, White, Yellow, Red, Deep Blue, Mid Blue, Light Blue, Dark Green, Green, Grey.

ZIVA FOOTPATH SIGN

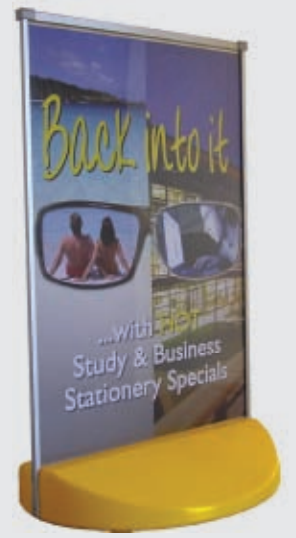
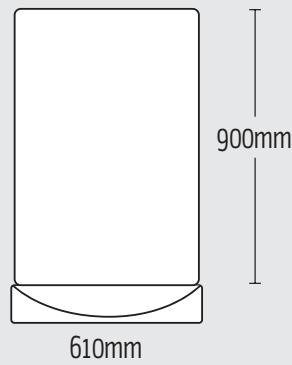
- The quick change A1 poster display sign.
- Holds A1 posters both sides
- No tools required
- Weatherproof
- Lockable with keys
- Base can be filled with water for weight
- Comes with wheels.



A1 Prints both sides - 594mm x 840mm - 100% full cover printed on high quality 3 yr. vinyl
 Quantity 1 = \$445.00+gst
 Stand Colours available: Red, Orange, Blue, White Haze and Graphite.
 Printed posters are additional.

POSTER DISPLAY FOOTPATH SIGN

- Constructed from advanced, maintenance-free materials.
- Poster Displays can be changed quickly and easily.
- Supplied with or without posters.
- Custom designed anodised aluminium frame to suit A1 size poster.
- Interior or exterior use. Clear acrylic envelope protects poster.
- Bases can be weighted for additional stability.
- Moulded bases are available in a range of standard colours.



(changeable footprint sign)

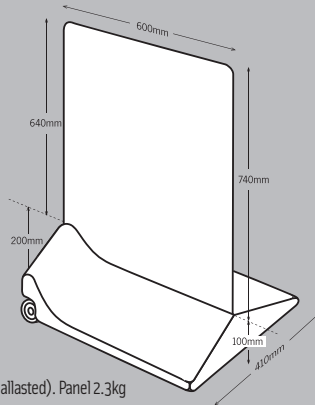
594x840 (fits A1 poster)

Quantity 1 = \$350.00ea. Quantity 2 = \$340.00ea. Quantity 3 = \$330.00ea. Quantity 4 = \$330.00ea. Quantity 5 = \$330.00ea.

Includes base panel and 2 printed posters New sets of posters (2) = \$120.00 plus GST

SK8 FOOTPATH SIGN

- Designed to ease the movement of your footpath signage.
- Constructed with sturdy, non-bearing wheels.
- Sign panels can be locked into base for added security.
- Constructed from advanced, maintenance-free materials.
- Panels are manufactured from white composite aluminium.
- Moulded bases are available in a range of standard colours.



Weights: Base 2.2kg (unballasted), Panel 2.3kg



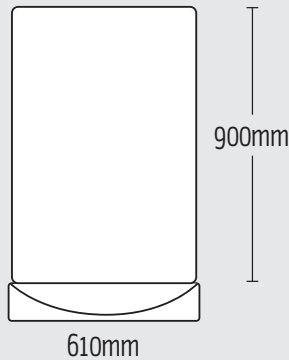
600X800 Composite Panel, with built in wheels = \$295.00 each - Price includes panel printed both sides.

*9 base colours available

*bulk pricing available

CORFLUTE FOOTPATH SIGN

- Display stand suits standard 900 x 610 x 5mm corflute panel or similar.
- Slide-in design for quick and easy panel replacement.
- Supplied with or without corflute.
- Custom designed anodised aluminium frame.
- Constructed from advanced, maintenance-free materials.
- Bases can be weighted for additional stability.
- Moulded bases are available in a range of standard colours.



(changeable corflute panel footprint sign)

610 x 900 w/5mm corflute panel

Quantity 1 = \$265.00ea. Quantity 2 = \$258.00ea. Quantity 3 = \$256.00ea. Quantity 4 = \$250.00ea. Quantity 5 = \$250.00ea.

New corflute panels with double sided print = \$75.00 plus GST

CONTACT US NOW

0508 banners (0508 2266377) www.expandesign.co.nz www.photoarts.co.nz

PHOTO Arts



expand a sign
portable instant advertising